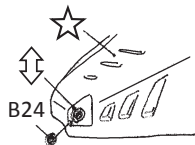
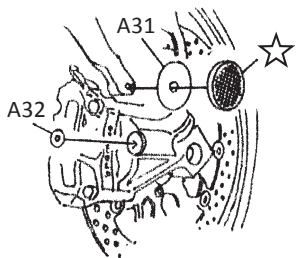


**FRONT FORK**

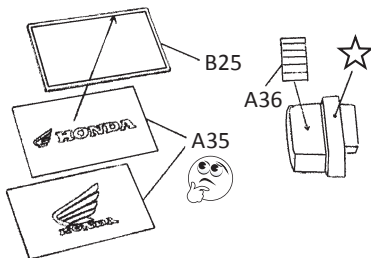
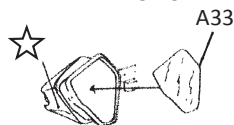
**TANK COVER**

**REAR PLATE / LIGHT**



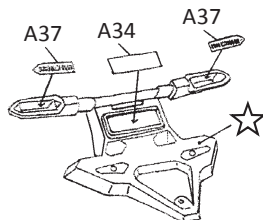
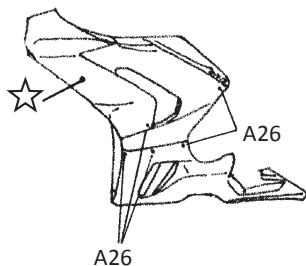
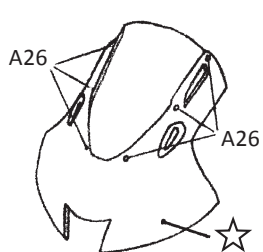
**MIRRORS**

USE SANDPAPER 3000,  
THEN POLISH



**FAIRING**

**PLATE SUPPORT**



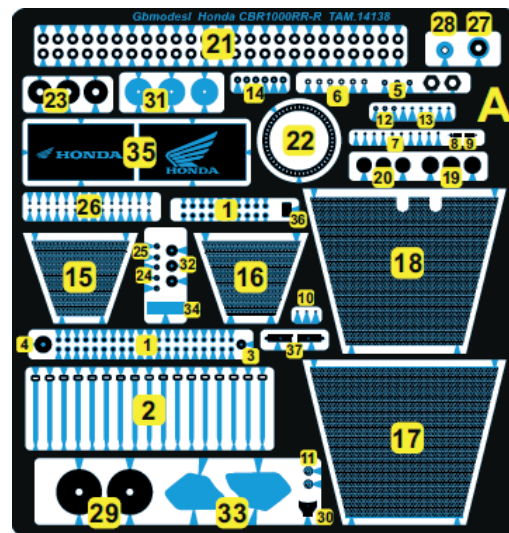
# HONDA CBR 1000 RR-R

**Cod. GB12-M04**

Detail-up Set compatible with Tam. 14138 1/12 SCALE



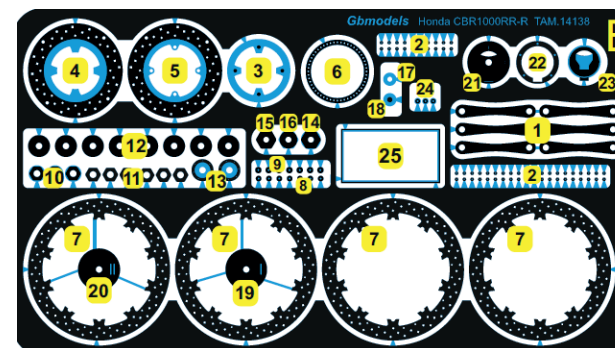
[www.gbmodels.it](http://www.gbmodels.it)



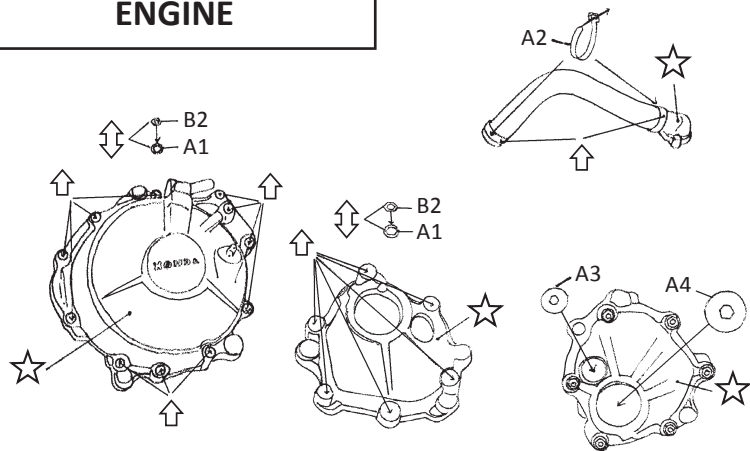
Replace with our parts where removed  
 Original Part  
 Remove Where Indicated



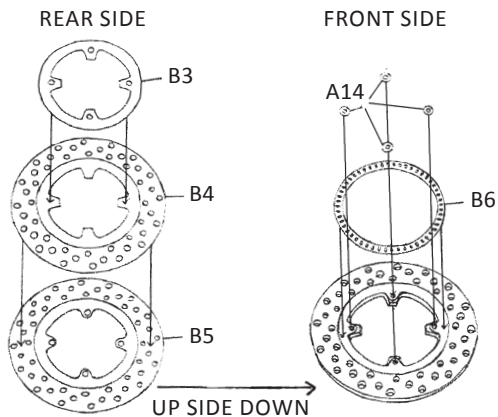
33 - use the more shiny back side as a mirror glass



### ENGINE

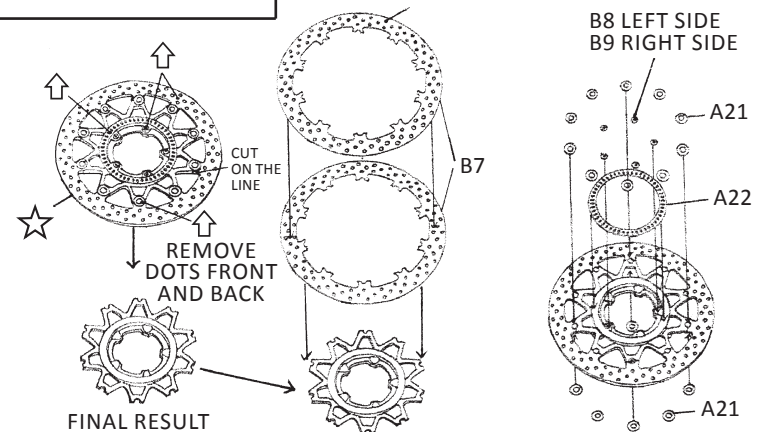


### REAR DISK

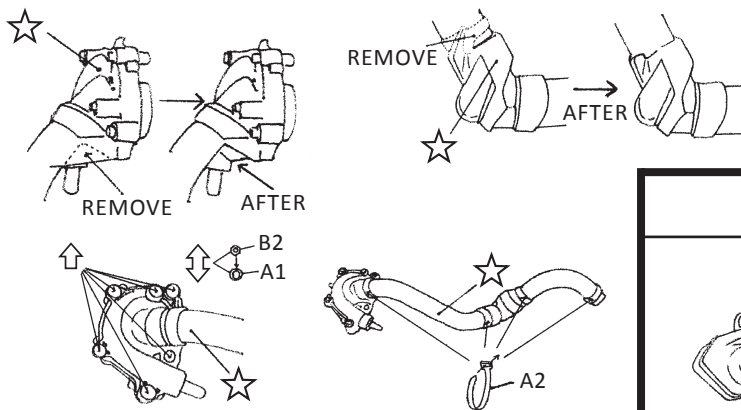


### FRONT DISK

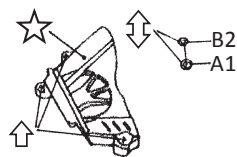
TAKE CARE TO THE HOLES DIRECTION FOL LEFT SIDE AND RIGHT SIDE



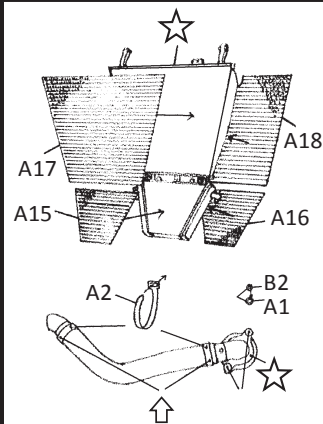
### COOLING SYSTEM PIPE



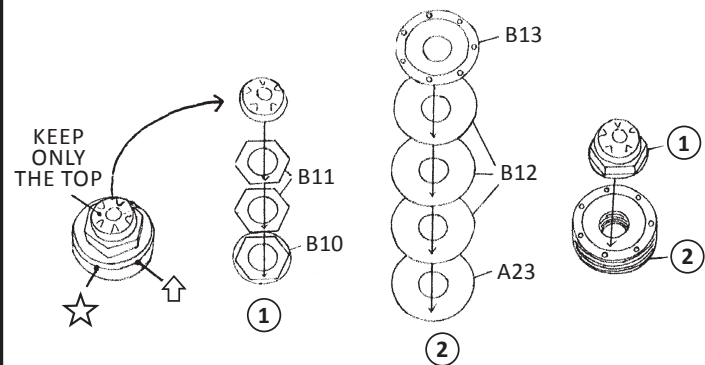
### CHAIN GUARD



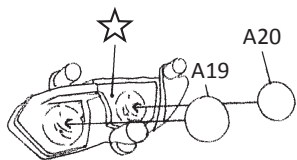
### RADIATOR



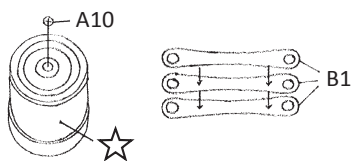
### FRONT FORK ADJUSTER



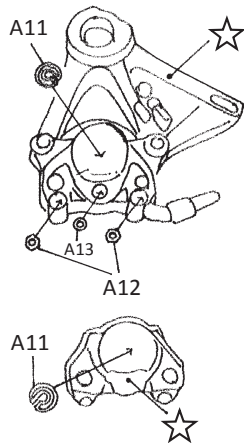
### HEADLIGHT



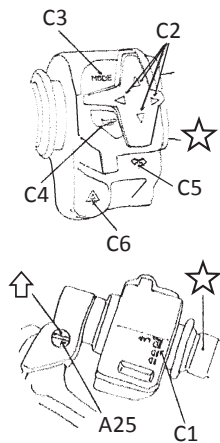
### REAR SUSPENSION



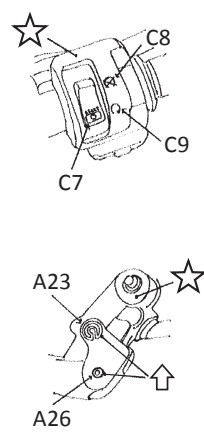
### REAR BRAKE



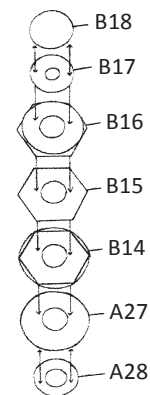
### LEFT HANDLEBAR



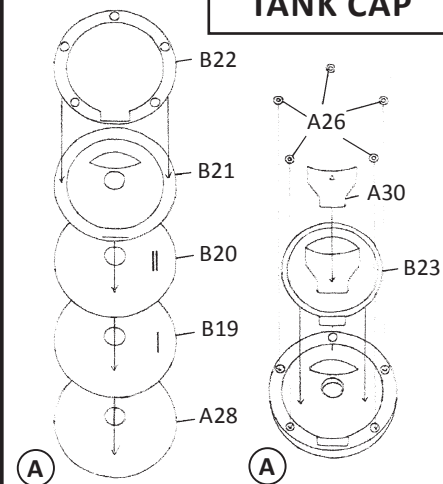
### RIGHT HANDLEBAR



### HANDLEBAR PLATE BOLT



### TANK CAP



### TAIL LIGHT

